

# CETA 3/2 Way Valve

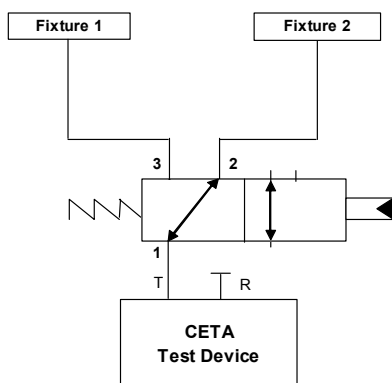


## Application

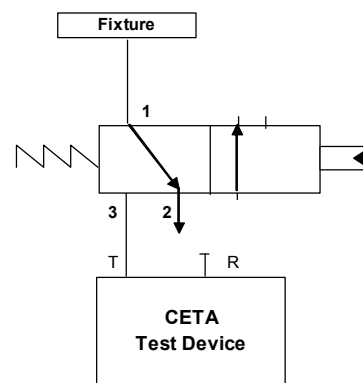
The leak tight and pneumatically activated 3/2 way valve can be used for bidirectional operation. Typical applications are switching between measurement points or external exhausting.

## Circuit diagram

### Switching between test points



### External exhausting



## Properties

Slide valve tested for leak tightness.  
 No minimum pressure in the pneumatic line necessary.  
 The valve is switched by an external control.  
 The quality of the used material as well as extensive tests guarantees high reliability and long durability.

## Medium

Air or neutral gas (filtered)

## Material

Housing : Aluminium  
 Internal Components : Stainless steel  
 Sealing rings : Nitril NBR

## Maximum leak rate

max. 0,2 cm<sup>3</sup>/min • bar

## Means of control

Control: pneumatic  
 Reset : spring  
 If the 3/2 way valve has to be controlled externally (i.e. not by the CETA test device), a separate mountable electromagnetic valve (24 V DC / 5 W) can be delivered for each 3/2 way valve (option).

# CETA 3/2 Way Valve



<b>Control pressure</b>	Minimum pressure: 5 bar, maximum pressure: 6 bar In case the control pressure is less than 5 bar a pressure booster has to be used. If the control pressure is higher than 6 bar a pressure reducer is necessary.								
<b>Response time</b>	approx. 200 ms								
<b>Test pressure</b>	0 to 10 bar as standard, up to 16 bar on demand If the pressure at connection no. 3 is much higher than at connection 1 (meaning $p_3 \gg p_2$ ), the pneumatic line between connection no. 1 and no. 2 might be shut.								
<b>Connection</b>	<u>Pneumatic line:</u> Fitting 6 x 1 mm <u>control line:</u> Quick connector 6 x 1mm								
<b>Nominal width</b>	5 mm								
<b>Operation temperature</b>	+10°C to +40°C								
<b>Dimensions</b>									
<b>Mounting</b>	There are 4 end-to-end mounting holes with a diameter of 4,2 mm in the housing. The valves can be mounted one upon the other.								
<b>Advice</b>	The use of fittings from Camozzi is recommended.								
<b>Note</b>	The CETA test devices have a pneumatical output, which can be used to switch the 3/2-way-valve (program selective).								
<b>Maintenance</b>	The 3/2 way valve has to be maintained at regular intervals. This can be done by the CETA service.								
<b>Weight</b>	0,45 kg								
<b>Included in delivery</b>	Test record, sealing caps								
<table border="0"> <tr> <td><b>CETA Testsysteme GmbH</b></td> <td>Tel.: +49 (0) 2103 / 2471 - 75</td> </tr> <tr> <td><b>Marie-Curie-StraÙe 35-37</b></td> <td>Fax: +49 (0) 2103 / 2471 - 76</td> </tr> <tr> <td><b>40721 Hilden</b></td> <td>E-mail: <a href="mailto:sales@cetatest.com">sales@cetatest.com</a></td> </tr> <tr> <td><b>- Germany -</b></td> <td>Internet: <a href="http://www.cetatest.com">www.cetatest.com</a></td> </tr> </table>		<b>CETA Testsysteme GmbH</b>	Tel.: +49 (0) 2103 / 2471 - 75	<b>Marie-Curie-StraÙe 35-37</b>	Fax: +49 (0) 2103 / 2471 - 76	<b>40721 Hilden</b>	E-mail: <a href="mailto:sales@cetatest.com">sales@cetatest.com</a>	<b>- Germany -</b>	Internet: <a href="http://www.cetatest.com">www.cetatest.com</a>
<b>CETA Testsysteme GmbH</b>	Tel.: +49 (0) 2103 / 2471 - 75								
<b>Marie-Curie-StraÙe 35-37</b>	Fax: +49 (0) 2103 / 2471 - 76								
<b>40721 Hilden</b>	E-mail: <a href="mailto:sales@cetatest.com">sales@cetatest.com</a>								
<b>- Germany -</b>	Internet: <a href="http://www.cetatest.com">www.cetatest.com</a>								